

Note: Measurements in inches.

**MAGNER**

41 West Street  
Middlefield, CT 06455  
860-349-1097  
www.magner.com

Material:

Surface:

Description:

900 SERIES

Created by:

MRC

Modified by:

mrc

Date:

09.03.2016

Format:

A3

Scale:

1:10

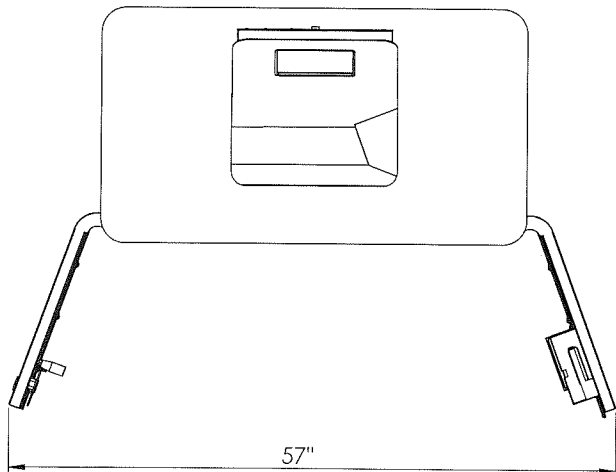
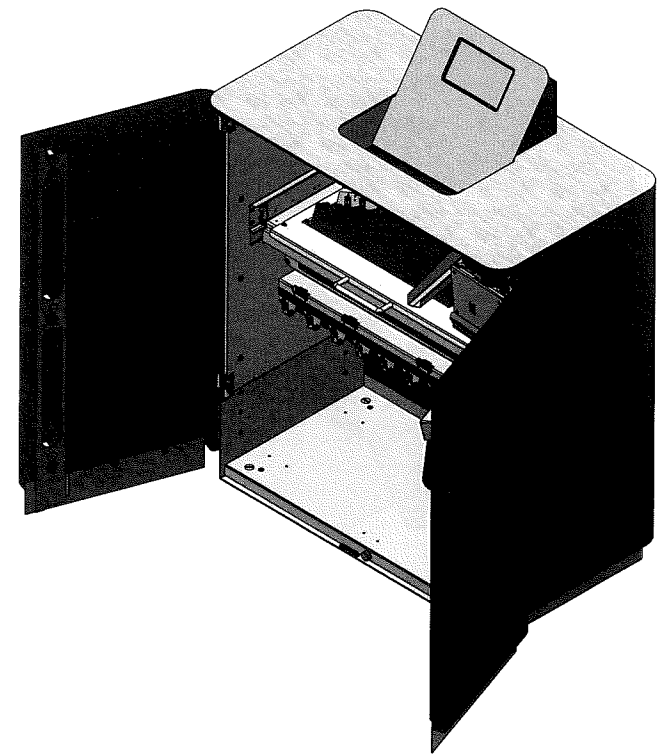
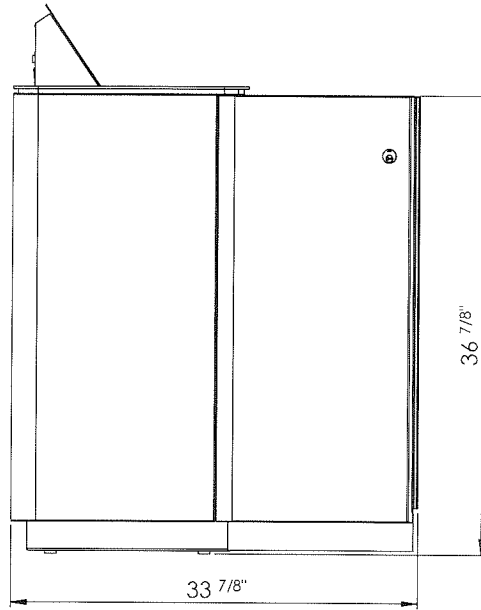
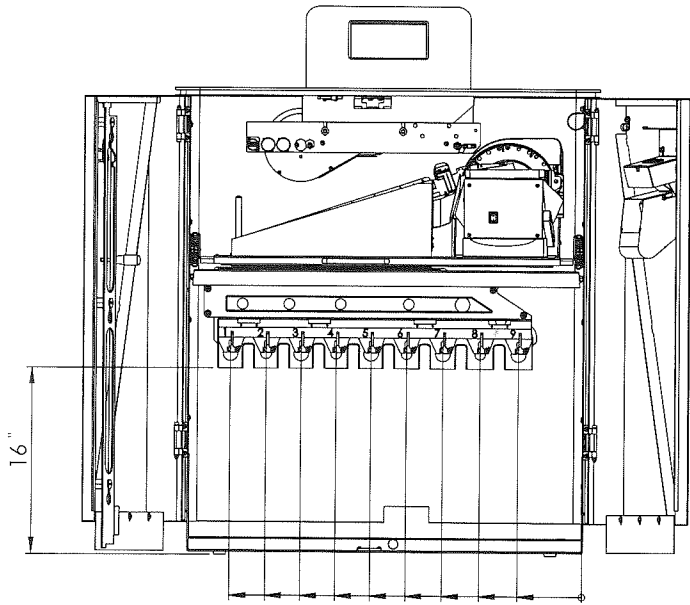
Sheet:

1 of 2

Tolerance: DS/ISO 2768-m

Drawing No.: 19502300-n/a

Weight: 122 kg



Note: Measurements in inches.

**MAGNER**

41 West Street  
 Middlefield, CT 06455  
 860-349-1097  
 www.magner.com

Material:

Surface:

Description:

900 SERIES

Created by:

MRC

Modified by:

mrc

Date:

09.03.2016

Format:

A3

Scale:

1:10

Sheet:

2 of 2

Tolerance: DS/ISO 2768-m

Drawing No.: 19502300-n/a

Weight: 122 kg