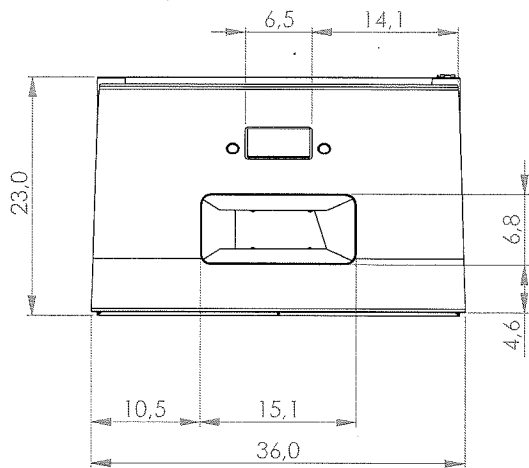
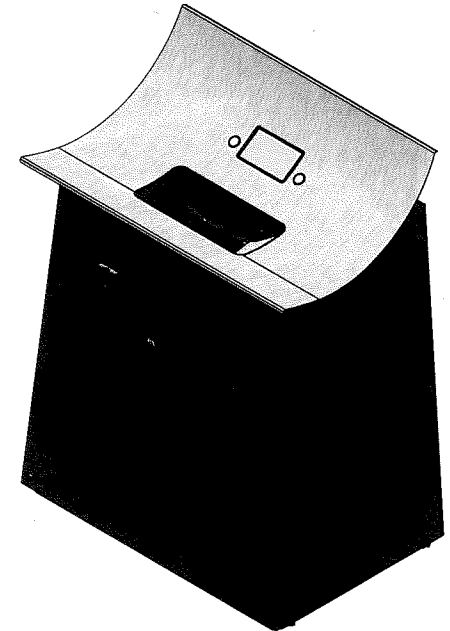


DETAIL A
SCALE 1 : 2



Note:

MAGNER

41 West Street
Middlefield, CT 06455
860-349-1097
www.magner.com

Material:

Surface:

Description:

7XX

Created by:

MRC

Modified by:

mrc

Date:

02.12.2014

Format:

A3

Scale:

1:12

Sheet:

1 of 2

Tolerance:

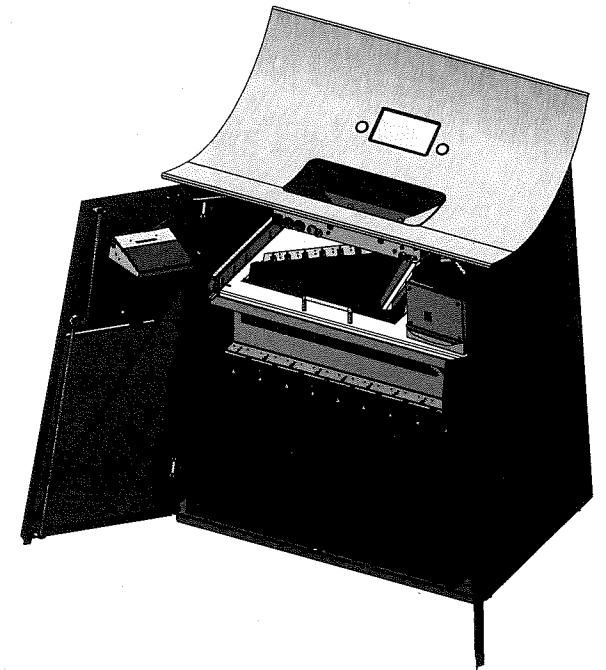
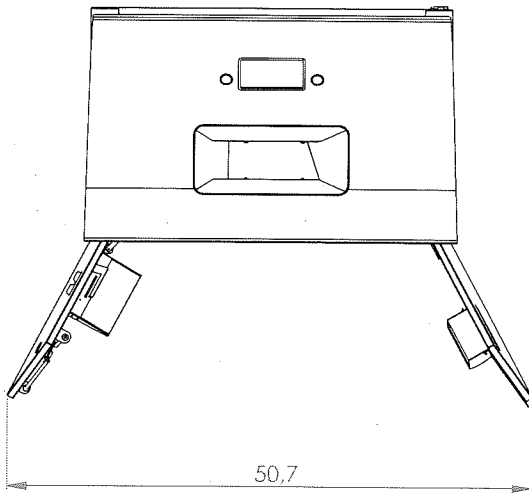
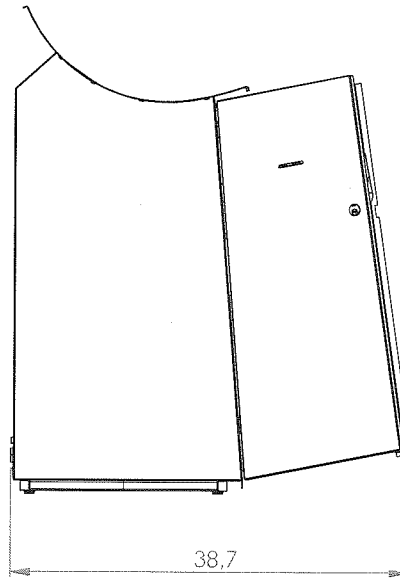
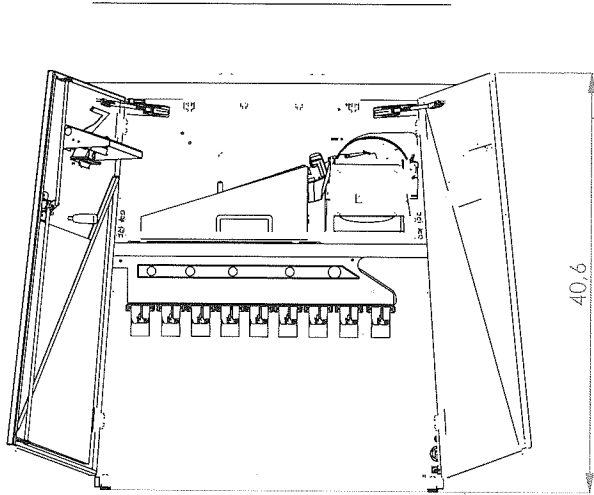
DS/ISO 2768-f

Drawing No.:

-n/a

Weight:

138 kg



Note:

MAGNER

41 West Street
Middlefield, CT 06455
860-349-1097
www.magner.com

Material:

Surface:

Description:

7xx

Created by:

MRC

Modified by:

mrc

Date:

02.12.2014

Format:

A3

Scale:

1:12

Sheet:

2 of 2

Tolerance:

DS/ISO 2768-f

Drawing No.:

-n/a

Weight:

138 kg